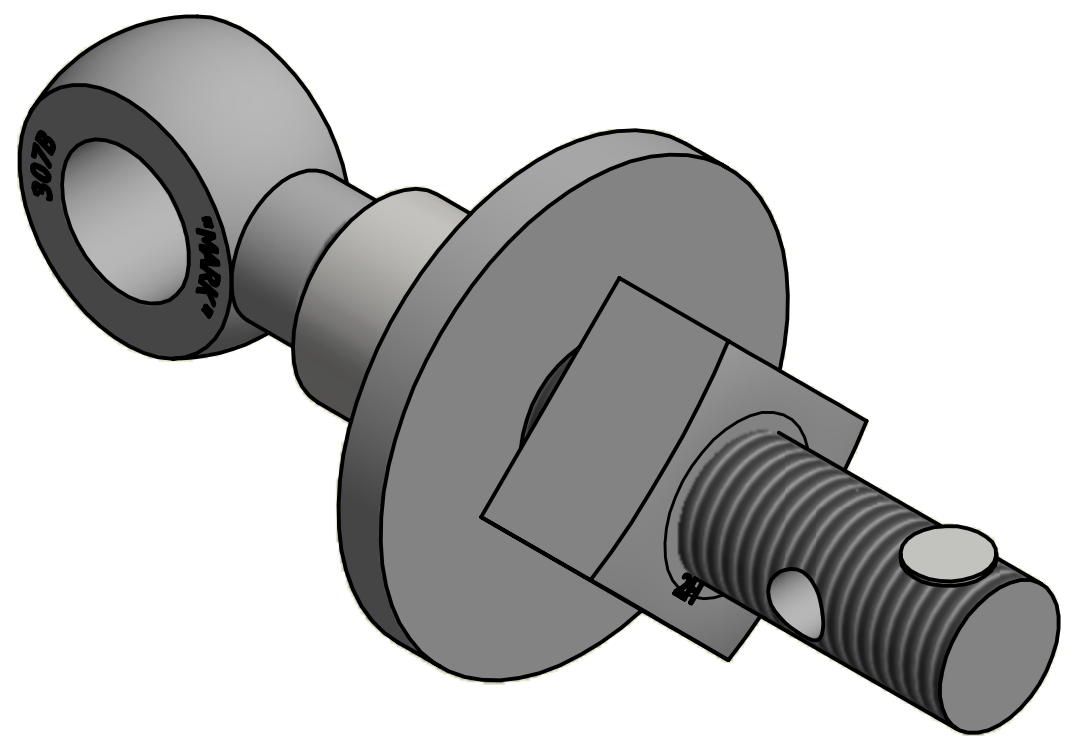
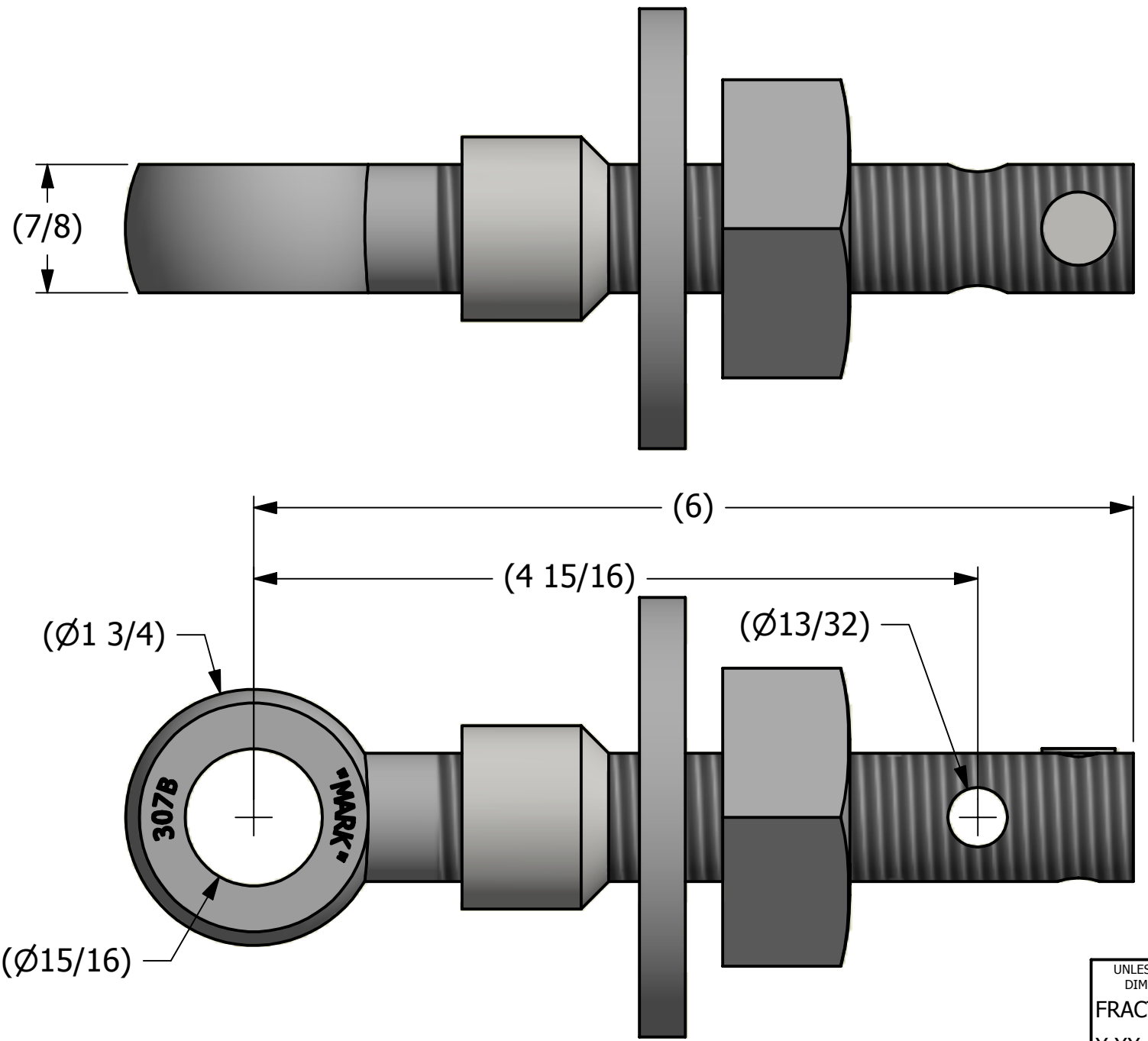


SALES DRAWING

SALES DRAWING



ISOMETRIC VIEW

A	CHL	6-10-10	NEW PART ADDED TO SYSTEM
REV	BY	DATE	DESCRIPTION

<small>UNLESS OTHERWISE SPECIFIED DIMENSIONAL TOLERANCES</small> FRACTIONAL: ±1/16 X.XX: ±.03 X.XXX: ±.015 ANGULAR: ±1° <small>DEBURR ALL SHARP EDGES. ALL MACHINED SURFACES TO HAVE A 125 RMS FINISH UNLESS NOTED OTHERWISE.</small> <small>THIRD ANGLE PROJECTION</small>	DRAWN BY:	CHL
	CHECKED BY:	VD
	PROTOTYPE BY:	CHL
	PROTOTYPE DATE:	4/15/2010
	APPROVED FOR PRODUCTION BY:	VD
	PRODUCTION DATE:	6/10/2010

SALCO PRODUCTS, INC.		
PART NAME: EYEBOLT ASSEMBLY 7/8"X6"		
MATERIAL: CS/SS		
PROJECT #: WAG0132	SHEET #: 1 OF 1	SCALE: 1:1
DRAWING #: B28517	PART #: EB786H7FTATC3	

THIS PRINT, PROPERTY OF SALCO PRODUCTS INC., CONTAINS PROPRIETARY INFORMATION AND MUST NOT BE COPIED, REPRODUCED, OR USED DETRIMENTALLY TO OUR INTEREST.